

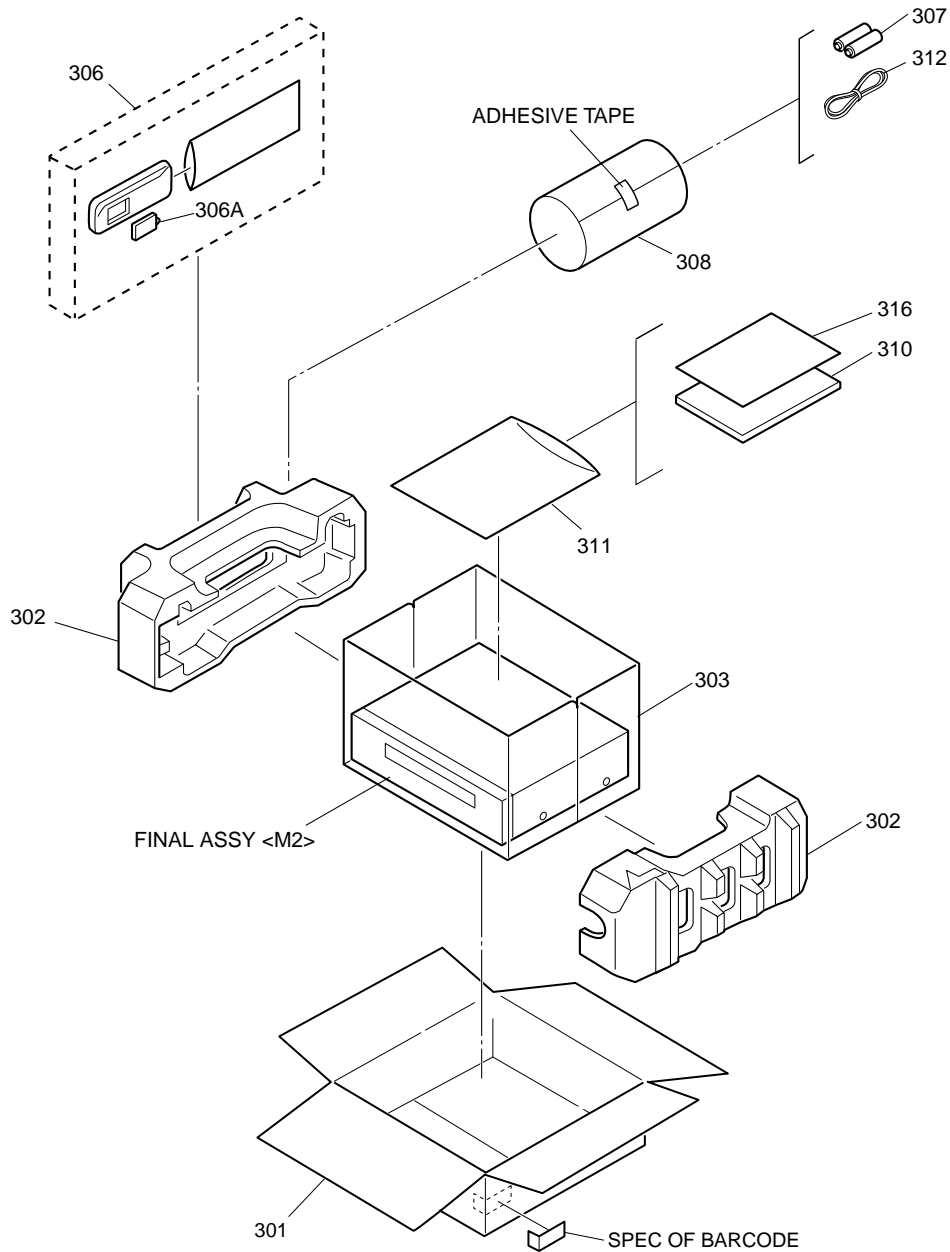
SECTION 5 PARTS LIST

SAFETY PRECAUTION

Parts identified by the \triangle symbol are critical for safety. Replace only with specified part numbers.

5.1 PACKING AND ACCESSORY ASSEMBLY <M1>

The instruction manual to be provided with this product will differ according to the destination.



# \triangle REF No.	PART No.	PART NAME, DESCRIPTION	# \triangle REF No.	PART No.	PART NAME, DESCRIPTION

PACKING AND ACCESSORY ASSEMBLY <M1>					
301	LP31005-001A	PACKING CASE	306A	LP40610-002A	COVER(BATTERY)
302	LP30355-001D	CUSHION ASSY	307	-	BATTERY,X2,"AA"TYPE
303	PQM30021-93	POLY BAG	308	QPC02202230P	POLY BAG
306	LP20878-008B	REMOTE CONTROLLER	\triangle 310	LPT0587-001A	INST.BOOK(KO)
			311	QPC02503530P	POLY BAG
			312	PEAC0294-04	RF CABLE
			316	BT-56010-1	WARRANTY CARD

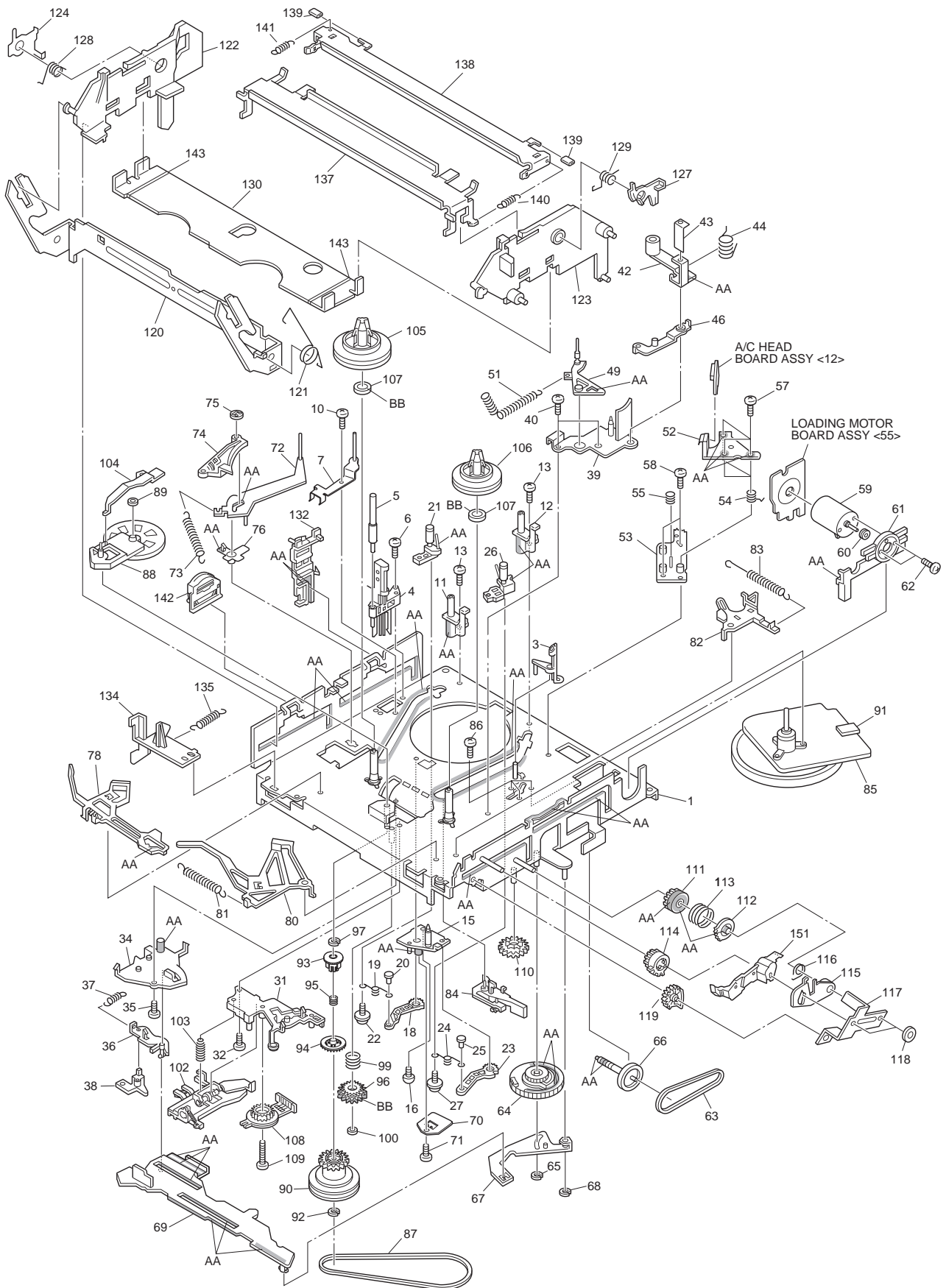
▲ REF No. PART No. PART NAME, DESCRIPTION

▲ REF No. PART No. PART NAME, DESCRIPTION

FINAL ASSEMBLY <M2>

▲ 501	LP10333-038C	FRONT PANEL ASSY
501A	LP20961-014B	CASSETTE DOOR
501B	PQ46448	TORSION SPRING
▲ 502	LP10013-045A	TOP COVER
503	QYTDSF3010R	SCREW,X2 TOP COVER(SIDE)
504	QYTDSF3010M	SCREW,TOP COVER(REAR)
505	LP20981-001A	DRUM SUB ASSY
505E	LP40323-001A	CONTACT
505F	LP30004-014A	COMPRESSION SPRING
506	PDZ0179-1-4	ROTOR ASSY
507	QYSPSP3006Z	SCREW,X2 ROTOR
▲ 508	QAR0169-002	STATOR ASSY
509	QYSPSPH2606Z	SCREW,X2 STATOR
510	QYTDST2610Z	SCREW,X3 DRUM
▲ 511	LP10108-002H	BOTTOM CHASSIS
513	LP30312-001B	BRACKET(CHASSIS)
514	QYTDSF3010Z	SCREW,X2
515	QYTDSF4012Z	SCREW,MECHA
516	QYTDSF3010Z	SCREW,X2 MECHA
▲ 517	QMPR260-170-JC	POWER CORD
518	LP40369-001D	CLEANER ASSY
518A	PQ46418-1-2	CLEANER ROLLER
518B	PQ46419-1-2	CLEANER
518C	LP30407-001D	CLEANER ARM
522	LP40226-001A	PC SUPPORT,X2
525	PQ40413	SPECIAL SCREW,MECHA
530	QYTDSF3010Z	SCREW,MAIN
WR1	QUQ212-0518CG	FFC WIRE,DRUM
WR2	WJT0005-002A	E-CARD WIRE,A/C HEAD

5.3 MECHANISM ASSEMBLY <M4>



Classification	Part No.	Symbol in drawing
Grease	KYODO-SH-P	AA
Oil	COSMO-HV56	BB

NOTE:The section marked in AA and BB indicate lubrication and greasing areas.

#	△	REF No.	PART No.	PART NAME, DESCRIPTION	#	△	REF No.	PART No.	PART NAME, DESCRIPTION

MECHANISM ASSEMBLY <M4>									
1			LP20821-006A	MAIN DECK ASSY	75			PQ46302-1-3	ADJUST PIN
3			LP30492-002B	GUIDE POLE GUARD	76			LP30232-002A	TENSION ARM BEARING
4			NAH0001-001	FULL ERASE HEAD	78			LP40532-008B	MAIN BRAKE ASSY (SUPPLY)
5			LP40098-001B	GUIDE POLE(SUPPLY)	80			LP40111-011A	MAIN BRAKE ASSY (TAKE UP)
6			QYTDST2608Z	SCREW,FE HEAD	81			LP30003-026A	TENSION SPRING
7			LP40637-002A	TENSION STUD BASE ASSY	82			LP40112-001F	SUB BRAKE ASSY(TAKE UP)
10			QYTDST2606Z	SCREW	83			LP40357-002A	TENSION SPRING
11			LP30409-002C	UV CATCHER 2 (SUPPLY)	84			LP40461-001A	CAPSTAN BRAKE ASSY
12			LP30409-002C	UV CATCHER 2 (TAKE UP)	85			QAR0087-005	CAPSTAN MOTOR
13			QYTPST2606Z	SCREW,X2	86			QYTDST2606M	SCREW,X3
15			LP30223-003C	LOADING ARM GEAR SHAFT	87			LP30005-007A	BELT,CAPSTAN MOTOR
16			QYTDST2606Z	SCREW	88			LP40114-012A	IDLER ARM ASSY
18			LP30224-001B	LOADING ARM GEAR(SUPPLY)	89			LP40599-001A	WASHER
19			LP40099-001A	TORSION ARM	90			LP40593-001A	CLUTCH UNIT 3
20			LP40100-001A	PIN	91			LP30002-097A	SPACER,CAPSTAN MOTOR
21			LP40101-006A	POLE BASE ASSY(SUPPLY)	92			PQM30017-47	SLIT WASHER
22			QYSPSTG2606Z	SCREW	93			LP30696-002A	CLUTCH GEAR 4
23			LP40103-002B	LOADING ARM GEAR(TAKE UP)	94			LP30697-003A	COUPLING GEAR
24			LP40099-001A	TORSION ARM	95			LP40554-002A	COMPRESSION SPRING
25			LP40100-002A	PIN	96			LP40442-001A	DIRECT GEAR
26			LP40104-006A	POLE BASE ASSY(TAKE UP)	97			LP30017-019A	SPACER
27			QYSPSTG2606Z	SCREW	99			LP40483-002A	COMPRESSION SPRING
31			LP20233-004B	ROTARY ENCODER GUIDE	100			LP30016-001A	SLIT WASHER
32			QYTPST2606Z	SCREW	102			LP40484-001J	CHANGE LEVER ASSY
34			LP30226-004E	CONTROL PLATE GUIDE	103			LP40512-002B	COMPRESSION SPRING
35			QYTPST2605Z	SCREW	104			LP30236-002C	IDLER LEVER
36			LP30249-003B	TAKE UP LEVER	105			LP20237-001B	REEL DISK (SUPPLY)
37			LP30003-006A	TENSION SPRING	106			LP20238-001B	REEL DISK (TAKE UP)
38			LP40119-002A	TAKE UP HEAD	107			LP30017-015A	SPACER,X2
39			LP20234-004B	LID GUIDE	108			QSW0554-003	ROTARY ENCODER
40			QYTDST2606Z	SCREW,X2	109			QYTPST2620Z	SCREW
42			LP40105-003A	PINCH ROLLER ARM ASSY	110			LP30237-002B	CASSETTE GEAR
43			LP40753-001A	PINCH ROLLER SHEET3	111			LP30239-002G	LIMIT GEAR(1)
44			LP40148-002A	TORSION SPRING	112			LP30240-002G	LIMIT GEAR(2)
46			LP40149-001C	PRESS LEVER ASSY	113			LP40136-001E	TORSION SPRING
49			LP40106-007A	GUIDE ARM ASSY	114			LP30242-002A	RELAY GEAR
51			LP40134-002A	TENSION SPRING	115			LP30339-002E	OPENER GUIDE
52			QAH0058-001	AC HEAD	116			LP40545-001A	TORSION SPRING
53			LP30228-001C	HEAD BASE	117			LP40214-001B	C.H.BRACKET
54			LP30004-013A	COMPRESSION SPRING,X3	118			PQM30017-47	SLIT WASHER,X2
55			LP40236-001A	COMPRESSION SPRING	119			LP30243-002A	DRIVE GEAR
57			LP40213-002B	SPECIAL SCREW,X3	120			LP20240-001G	DRIVE ARM
58			QYTDST2608Z	SCREW,X2	121			LP40137-001A	TORSION SPRING
59			QAR0023-001	LOADING MOTOR	122			LP10081-002L	SIDE HOLDER(L)
60			PQ43546-1-2	MOTOR PULLEY	123			LP10082-002M	SIDE HOLDER(R)
61			LP30230-003D	MOTOR GUIDE	124			LP30255-006A	LOCK LEVER(L)
62			QYTPSP3003Z	SCREW,X2	127			LP30256-001H	LOCK LEVER(R)
63			LP30005-003A	BELT,LOADING MOTOR	128			LP40168-003A	TORSION SPRING(L)
64			LP20791-002D	CONTROL CAM	129			LP40218-001B	TORSION SPRING(R)
65			PQM30017-24	SLIT WASHER	130			LP30257-001G	CASSETTE HOLDER
66			LP40120-001A	WORM GEAR	132			LP30244-002G	GUIDE RAIL
67			LP40107-002A	LINK LEVER ASSY	134			LP30245-002F	REC SAFETY LEVER
68			PQM30017-24	SLIT WASHER	135			LP30003-004A	TENSION SPRING
69			LP10201-003G	CONTROL PLATE	137			LP20578-001C	TOP GUIDE
70			LP40379-001B	CONTROL BRACKET(1)	138			LP30500-001C	HOLD PLATE
71			QYTDST2608M	SCREW	139			LP40450-003A	PAD,X2
72			LP40108-002A	TENSION ARM ASSY	140			LP30003-025B	TENSION SPRING
73			LP30003-010A	TENSION SPRING	141			LP30003-024A	TENSION SPRING
74			LP40109-003D	TENSION BRAKE ASSY	142			LP40481-003A	ROLLER CAM ASSY
					143			LP30019-014A	PAD,X2
					151			LP20324-003B	DOOR OPENER

5.4 ELECTRICAL PARTS LIST

#	△ REF No.	PART No.	PART NAME, DESCRIPTION

MAIN BOARD ASSEMBLY <03>			
PW1		LPA10141-01B1	MAIN BOARD ASSY
IC1		JCP8040-NVA	IC
IC3001		MN101D02HWD	IC
		or MN101DP02JAFWD	IC
IC3002		BA6956AN	IC
IC3003		IC-PST3423U-X	IC
IC3004		S-24C04BFJ-X	IC
		or X24C04S	IC
		or 24LC04B/SN-X	IC
		or AT24C04N-10SC-X	IC
		or BR24C04F-W-X	IC
IC5101		STR-G6551	IC
IC5301		L5431	IC
		or MM1431AT	IC
		or UTCTL431	IC
IC7002		PT6956	IC
IC7003		GP1U291Q	IR DETECT UNIT
		or PIC-28143LJ	IR DETECT UNIT
		or PNA4652M00YC	IR DETECT UNIT
		or PIC-37143LJ	IR DETECT UNIT
Q23		2SC4081/QRS/-X	TRANSISTOR
		or 2PC4081/R/-X	TRANSISTOR
Q32		DTC144WU	TRANSISTOR
		or PDTC144WU	TRANSISTOR
		or RN1309	TRANSISTOR
		or UN521E	TRANSISTOR
Q901		2SA1576A/QR/-X	TRANSISTOR
		or 2PA1576/R/-X	TRANSISTOR
Q2001		2SC4081/QRS/-X	TRANSISTOR
		or 2PC4081/R/-X	TRANSISTOR
		or 2SD1819A/QRS/-X	TRANSISTOR
Q2002		2SC4081/QRS/-X	TRANSISTOR
		or 2SD1819A/QRS/-X	TRANSISTOR
		or 2PC4081/R/-X	TRANSISTOR
Q2003		DTA144WU	TRANSISTOR
		or PDTA144WU	TRANSISTOR
		or RN2309	TRANSISTOR
		or UN511E	TRANSISTOR
Q2051		2SD1820A/RS/-X	TRANSISTOR
		or 2SC4097/QR/-X	TRANSISTOR
Q2052		2SA1576A/QR/-X	TRANSISTOR
		or 2PA1576/R/-X	TRANSISTOR
		or 2SB1218A/QR/-X	TRANSISTOR
Q2053		DTC144WU	TRANSISTOR
		or PDTC144WU	TRANSISTOR
		or RN1309	TRANSISTOR
		or UN521E	TRANSISTOR
Q2054		2SA1576A/QR/-X	TRANSISTOR
		or 2SB1218A/QR/-X	TRANSISTOR
		or 2PA1576/R/-X	TRANSISTOR
Q2055		DTC144WU	TRANSISTOR
		or PDTC144WU	TRANSISTOR
		or RN1309	TRANSISTOR
		or UN521E	TRANSISTOR
Q2251		DTA144WU	TRANSISTOR
		or PDTA144WU	TRANSISTOR
		or RN2309	TRANSISTOR

#	△ REF No.	PART No.	PART NAME, DESCRIPTION
		or UN511E	TRANSISTOR
Q3002		PTZ-NV16	PHOTO TRANSISTOR
		or PTZ-NV16A	PHOTO TRANSISTOR
Q3004		2SD1819A/QRS/-X	TRANSISTOR
		or 2SC4081/QRS/-X	TRANSISTOR
		or 2PC4081/R/-X	TRANSISTOR
Q3005		UN521K	TRANSISTOR
		or DTC114WU	TRANSISTOR
Q4001		UN5211	TRANSISTOR
		or RN1302	TRANSISTOR
		or DTC114EU	TRANSISTOR
		or PDTC114EU	TRANSISTOR
Q4002		2SD1819A/QRS/-X	TRANSISTOR
		or 2PC4081/R/-X	TRANSISTOR
		or 2SC4081/QRS/-X	TRANSISTOR
Q5303		2SD1819A/RS/-X	TRANSISTOR
		or 2SC4081/RS/-X	TRANSISTOR
		or 2PC4081/R/-X	TRANSISTOR
Q5304		2SD2144S/UV/-T	TRANSISTOR
Q5305		DTA114EU	TRANSISTOR
		or PDTA114EU	TRANSISTOR
		or RN2302	TRANSISTOR
		or UN5111	TRANSISTOR
Q5306		DTC114EU	TRANSISTOR
		or PDTC114EU	TRANSISTOR
		or RN1302	TRANSISTOR
		or UN5211	TRANSISTOR
Q5321		2SC3616/ML/-T	TRANSISTOR
Q6030		2SB1218A/QR/-X	TRANSISTOR
		or 2SA1576A/QR/-X	TRANSISTOR
		or 2PA1576/R/-X	TRANSISTOR
Q7001		DTA143TU	TRANSISTOR
Q7002		DTA143TU	TRANSISTOR
Q7003		DTA143TU	TRANSISTOR
Q7004		DTA143TU	TRANSISTOR
Q7005		DTA143TU	TRANSISTOR
D2202		MTZJ9.1B	ZENER DIODE
D3001		LNB2301L01VI	LE DIODE
D3002		1SS133	DIODE
		or 1SS270A	DIODE
D3004		11ES2	DIODE
		or 1A3G	DIODE
D3005		11ES2	DIODE
		or 1A3G	DIODE
D3006		RD33ES/B2/-T2	ZENER DIODE
		or MTZJ33B	ZENER DIODE
D3007		1SS355	DIODE
D3013		DA204U	DIODE
D5001		S1WB/A/60-4102	BRIDGE DIODE
		or S1WB/A/60-X	BRIDGE DIODE
		or S1WB(A)60F4072X	BRIDGE DIODE
D5101		AU01	FR DIODE
		or ERA18-04-T2	FR DIODE
		or 1SR153-400-T2	FR DIODE
		or 10ELS4	FR DIODE
D5102		AU01	FR DIODE
		or 1SR153-400-T2	FR DIODE
		or 10ELS4	FR DIODE
		or ERA18-04-T2	FR DIODE
D5103		AU01Z	FR DIODE
		or ERA18-02-T2	FR DIODE

#	△ REF No.	PART No.	PART NAME, DESCRIPTION	#	△ REF No.	PART No.	PART NAME, DESCRIPTION
		or PG104RS	FR DIODE	R2053		NRSA02J-822X	MG RESISTOR 8.2kΩ,1/10W
		or 1SR153-400-T2	FR DIODE	R2054		NRSA02J-123X	MG RESISTOR 12kΩ,1/10W
		or 10ELS2	FR DIODE	R2055		NRSA02J-4R7X	MG RESISTOR 4.7Ω,1/10W
D5104		QUY153-050Y	IM BUS WIRE	R2056		QRE141J-560Y	RESISTOR 56Ω,1/4W
D5203		AU01Z	FR DIODE	R2057		NRSA02J-473X	MG RESISTOR 47kΩ,1/10W
		or 10ELS2	FR DIODE	R2058		NRSA02J-183X	MG RESISTOR 18kΩ,1/10W
D5204		AU01Z	FR DIODE	R2059		NRSA02J-473X	MG RESISTOR 47kΩ,1/10W
		or 10ELS2	FR DIODE	R2060		NRSA02J-183X	MG RESISTOR 18kΩ,1/10W
D5207		AK04	DIODE	R2201		NRSA02J-680X	MG RESISTOR 68Ω,1/10W
		or 11EQS04	SB DIODE	R2204		NRSA02J-0R0X	MG RESISTOR 0Ω,1/10W
D5210		AU01Z	FR DIODE	R2205		NRSA02J-0R0X	MG RESISTOR 0Ω,1/10W
		or ERA18-02-T2	FR DIODE	R2206		NRSA02J-101X	MG RESISTOR 100Ω,1/10W
		or PG104RS	FR DIODE	R2207		NRSA02J-332X	MG RESISTOR 3.3kΩ,1/10W
		or 1SR153-400-T2	FR DIODE	R2217		NRSA02J-0R0X	MG RESISTOR 0Ω,1/10W
		or 10ELS2	FR DIODE	R2218		NRSA02J-393X	MG RESISTOR 39kΩ,1/10W
D5301		MTZJ15C	ZENER DIODE	R2219		NRSA02J-393X	MG RESISTOR 39kΩ,1/10W
		or RD15ES/B3/-T2	ZENER DIODE	R2222		NRSA02J-123X	MG RESISTOR 12kΩ,1/10W
D5302		NRSA02J-0R0X	MG RESISTOR 0Ω,1/10W	R2223		NRSA02J-123X	MG RESISTOR 12kΩ,1/10W
D5303		RD5.1JS/B2/-T2	ZENER DIODE	R2224		NRSA02J-123X	MG RESISTOR 12kΩ,1/10W
		or MA4051N/M/-T2	ZENER DIODE	R2232		NRSA02J-680X	MG RESISTOR 68Ω,1/10W
D5304		1SS355	DIODE	R2251		QRE141J-102Y	RESISTOR 1kΩ,1/4W
D5307		QUY153-050Y	IM BUS WIRE	R3003		NRSA02J-102X	MG RESISTOR 1kΩ,1/10W
D6002		HZ30-2L-T2	ZENER DIODE	R3005		NRSA02J-102X	MG RESISTOR 1kΩ,1/10W
		or HZ30-2LTD	Z DIODE (M)	R3008		QUY160-100Y	IM BUS WIRE
R1		NRSA02J-682X	MG RESISTOR 6.8kΩ,1/10W	R3014		NRSA02J-102X	MG RESISTOR 1kΩ,1/10W
R2		NRSA02J-152X	MG RESISTOR 1.5kΩ,1/10W	R3017		NRSA02J-102X	MG RESISTOR 1kΩ,1/10W
R3		NRSA02J-822X	MG RESISTOR 8.2kΩ,1/10W	R3018		NRSA02J-102X	MG RESISTOR 1kΩ,1/10W
R5		NRSA02J-101X	MG RESISTOR 100Ω,1/10W	R3019		NRSA02J-0R0X	MG RESISTOR 0Ω,1/10W
R6		NRSA02J-273X	MG RESISTOR 27kΩ,1/10W	R3021		NRSA02J-102X	MG RESISTOR 1kΩ,1/10W
R7		NRSA02J-821X	MG RESISTOR 820Ω,1/10W	R3022		NRSA02J-102X	MG RESISTOR 1kΩ,1/10W
R8		NRSA02J-0R0X	MG RESISTOR 0Ω,1/10W	R3026		NRSA02J-0R0X	MG RESISTOR 0Ω,1/10W
R9		NRSA02J-0R0X	MG RESISTOR 0Ω,1/10W	R3028		NRSA02J-102X	MG RESISTOR 1kΩ,1/10W
R49		NRSA02J-331X	MG RESISTOR 330Ω,1/10W	R3035		NRSA02J-102X	MG RESISTOR 1kΩ,1/10W
R66		NRSA02J-104X	MG RESISTOR 100kΩ,1/10W	R3042		NRSA02J-0R0X	MG RESISTOR 0Ω,1/10W
R77		NRSA02J-103X	MG RESISTOR 10kΩ,1/10W	R3078		NRSA02J-102X	MG RESISTOR 1kΩ,1/10W
R79		NCB21HK-103X	CAPACITOR 0.01μF,50V	R3088		NRSA02J-102X	MG RESISTOR 1kΩ,1/10W
R118		NRSA02J-222X	MG RESISTOR 2.2kΩ,1/10W	R3090		NRSA02J-102X	MG RESISTOR 1kΩ,1/10W
R120		NRSA02J-103X	MG RESISTOR 10kΩ,1/10W	R3094		NRSA02J-102X	MG RESISTOR 1kΩ,1/10W
R201		NRSA02J-332X	MG RESISTOR 3.3kΩ,1/10W	R3096		NRSA02J-102X	MG RESISTOR 1kΩ,1/10W
R202		NRSA02J-222X	MG RESISTOR 2.2kΩ,1/10W	R3097		NRSA02J-102X	MG RESISTOR 1kΩ,1/10W
R901		NRSA02J-750X	MG RESISTOR 75Ω,1/10W	R3098		NRSA02J-102X	MG RESISTOR 1kΩ,1/10W
R904		QRE123J-331X	RESISTOR 330Ω,1/2W	R3201		NRSA02J-332X	MG RESISTOR 3.3kΩ,1/10W
R905		NRSA02J-101X	MG RESISTOR 100Ω,1/10W	R3206		NRSA02J-103X	MG RESISTOR 10kΩ,1/10W
R911		NRSA02J-750X	MG RESISTOR 75Ω,1/10W	R3207		NRSA02J-103X	MG RESISTOR 10kΩ,1/10W
R912		NRSA02J-750X	MG RESISTOR 75Ω,1/10W	R3208		NRSA02J-103X	MG RESISTOR 10kΩ,1/10W
R2001		NRSA02J-101X	MG RESISTOR 100Ω,1/10W	R3209		QRE141J-181Y	RESISTOR 180Ω,1/4W
R2003		NRSA02J-101X	MG RESISTOR 100Ω,1/10W	R3211		NRSA02J-183X	MG RESISTOR 18kΩ,1/10W
R2004		NRSA02J-332X	MG RESISTOR 3.3kΩ,1/10W	R3212		NRSA02J-181X	MG RESISTOR 180Ω,1/10W
R2005		NRSA02J-0R0X	MG RESISTOR 0Ω,1/10W	R3213		NRSA02J-273X	MG RESISTOR 27kΩ,1/10W
R2006		NRSA02J-393X	MG RESISTOR 39kΩ,1/10W	R3214		NRSA02J-181X	MG RESISTOR 180Ω,1/10W
R2007		NRSA02J-393X	MG RESISTOR 39kΩ,1/10W	R3215		NRSA02J-273X	MG RESISTOR 27kΩ,1/10W
R2008		NRSA02J-123X	MG RESISTOR 12kΩ,1/10W	R3216		QRE141J-474Y	RESISTOR 470kΩ,1/4W
R2009		NRSA02J-123X	MG RESISTOR 12kΩ,1/10W	R3217		NRSA02J-334X	MG RESISTOR 330kΩ,1/10W
R2010		NRSA02J-123X	MG RESISTOR 12kΩ,1/10W	R3219		QRE141J-103Y	RESISTOR 10kΩ,1/4W
R2013		NRSA02J-682X	MG RESISTOR 6.8kΩ,1/10W	R3220		NRSA02J-103X	MG RESISTOR 10kΩ,1/10W
R2014		NRSA02J-224X	MG RESISTOR 220kΩ,1/10W	R3221		NRSA02J-562X	MG RESISTOR 5.6kΩ,1/10W
R2015		NRSA02J-181X	MG RESISTOR 180Ω,1/10W	R3222		NRSA02J-472X	MG RESISTOR 4.7kΩ,1/10W
R2016		NRSA02J-473X	MG RESISTOR 47kΩ,1/10W	R3223		NRSA02J-105X	MG RESISTOR 1MΩ,1/10W
R2017		NRSA02J-153X	MG RESISTOR 15kΩ,1/10W	R3224		NRSA02J-101X	MG RESISTOR 100Ω,1/10W
R2018		NRSA02J-472X	MG RESISTOR 4.7kΩ,1/10W	R3226		NRSA02J-472X	MG RESISTOR 4.7kΩ,1/10W
R2019		NRSA02J-472X	MG RESISTOR 4.7kΩ,1/10W	R3227		NRSA02J-472X	MG RESISTOR 4.7kΩ,1/10W

#	△ REF No.	PART No.	PART NAME, DESCRIPTION	#	△ REF No.	PART No.	PART NAME, DESCRIPTION
R3232		NRSA02J-104X	MG RESISTOR 100kΩ,1/10W	R7034		NRSA02J-272X	MG RESISTOR 2.7kΩ,1/10W
R3233		NRSA02J-472X	MG RESISTOR 4.7kΩ,1/10W	R7035		NRSA02J-472X	MG RESISTOR 4.7kΩ,1/10W
R3234		QRE141J-472Y	RESISTOR 4.7kΩ,1/4W	R7036		NRSA02J-682X	MG RESISTOR 6.8kΩ,1/10W
R3236		NRSA02J-103X	MG RESISTOR 10kΩ,1/10W	R7037		NRSA02J-563X	MG RESISTOR 56kΩ,1/10W
R3237		NRSA02J-103X	MG RESISTOR 10kΩ,1/10W	B9		QUY160-060Y	IM BUS WIRE
R3238		NRSA02J-103X	MG RESISTOR 10kΩ,1/10W	B33		NRSA02J-0R0X	MG RESISTOR 0Ω,1/10W
R3240		NRSA02J-103X	MG RESISTOR 10kΩ,1/10W	B43		NRSA02J-0R0X	MG RESISTOR 0Ω,1/10W
R3241		NRSA02J-103X	MG RESISTOR 10kΩ,1/10W	B901		NRSA02J-0R0X	MG RESISTOR 0Ω,1/10W
R3243		QRE141J-103Y	RESISTOR 10kΩ,1/4W	B2051		QUY153-050Y	IM BUS WIRE
R3244		NRSA02J-103X	MG RESISTOR 10kΩ,1/10W	B5301		NRSA02J-0R0X	MG RESISTOR 0Ω,1/10W
R4001		NRSA02J-222X	MG RESISTOR 2.2kΩ,1/10W	B6020		NRSA02J-0R0X	MG RESISTOR 0Ω,1/10W
R4002		NRSA02J-562X	MG RESISTOR 5.6kΩ,1/10W	B6550		QUY160-080Y	IM BUS WIRE
R4003		NRSA02J-222X	MG RESISTOR 2.2kΩ,1/10W	B6551		QUY160-080Y	IM BUS WIRE
R4006		NRSA02J-472X	MG RESISTOR 4.7kΩ,1/10W	B7008		NRSA02J-0R0X	MG RESISTOR 0Ω,1/10W
R4010		NRSA02J-471X	MG RESISTOR 470Ω,1/10W	B7009		NRSA02J-0R0X	MG RESISTOR 0Ω,1/10W
R4011		NRSA02J-471X	MG RESISTOR 470Ω,1/10W	B7010		NRSA02J-0R0X	MG RESISTOR 0Ω,1/10W
R4012		NRSA02J-153X	MG RESISTOR 15kΩ,1/10W	C1		NCF21CZ-105X	CAPACITOR 1μF,16V
R4018		NRSA02J-103X	MG RESISTOR 10kΩ,1/10W	C2		NCF21CZ-105X	CAPACITOR 1μF,16V
R4019		NRSA02J-102X	MG RESISTOR 1kΩ,1/10W	C3		NCF21CZ-105X	CAPACITOR 1μF,16V
R4020		NRSA02J-102X	MG RESISTOR 1kΩ,1/10W	C4		NCF21CZ-105X	CAPACITOR 1μF,16V
R4021		NRSA02J-103X	MG RESISTOR 10kΩ,1/10W	C5		QEKJ0JM-476	E CAPACITOR 47μF,6.3V
R4024		QRE141J-103Y	RESISTOR 10kΩ,1/4W	C7		NDC21HJ-151X	CAPACITOR 150pF,50V
R5101		QRG02GJ-104	OMF RESISTOR 100kΩ,2W	C8		NCB21EK-104X	CAPACITOR 0.1μF,25V
R5102		QRE141J-4R7Y	RESISTOR 4.7Ω,1/4W	C9		NCB21HK-103X	CAPACITOR 0.01μF,50V
R5103		NRSA02J-681X	MG RESISTOR 680Ω,1/10W	C10		NDC21HJ-151X	CAPACITOR 150pF,50V
R5104		QRG02GJ-683	OMF RESISTOR 68kΩ,2W	C11		NCB21EK-104X	CAPACITOR 0.1μF,25V
R5105		QRT01DJ-R47X	MF RESISTOR 0.47Ω,1W	C12		NDC21HJ-330X	CAPACITOR 33pF,50V
R5106		NRSA02J-562X	MG RESISTOR 5.6kΩ,1/10W	C14		NCB21EK-104X	CAPACITOR 0.1μF,25V
R5301		NRSA02J-472X	MG RESISTOR 4.7kΩ,1/10W	C16		NCB21EK-104X	CAPACITOR 0.1μF,25V
R5302		NRSA02J-102X	MG RESISTOR 1kΩ,1/10W	C17		QEKJ1HM-335	E CAPACITOR 3.3μF,50V
R5303		NRSA02J-122X	MG RESISTOR 1.2kΩ,1/10W	C18		QEKJ1HM-105	E CAPACITOR 1μF,50V
R5304		NRSA02J-471X	MG RESISTOR 470Ω,1/10W	C19		QEKJ1HM-225	E CAPACITOR 2.2μF,50V
R5305		NRSA02J-102X	MG RESISTOR 1kΩ,1/10W	C20		QEKJ1HM-105	E CAPACITOR 1μF,50V
R5306		NRSA02J-471X	MG RESISTOR 470Ω,1/10W	C21		NCB21EK-104X	CAPACITOR 0.1μF,25V
R5308		NRSA02J-471X	MG RESISTOR 470Ω,1/10W	C22		QEKJ0JM-476	E CAPACITOR 47μF,6.3V
R5309		NRSA02J-103X	MG RESISTOR 10kΩ,1/10W	C23		NCB21CK-224X	CAPACITOR 0.22μF,16V
R5310		NRSA02J-471X	MG RESISTOR 470Ω,1/10W	C24		NCB21EK-104X	CAPACITOR 0.1μF,25V
R5311		NRSA02J-473X	MG RESISTOR 47kΩ,1/10W	C25		NDC21HJ-4R0X	CAPACITOR 4pF,50V
R5312		NRVA02D-332X	CMF RESISTOR 3.3kΩ,1/10W	C26		NCB21HK-103X	CAPACITOR 0.01μF,50V
R5313		NRVA02D-332X	CMF RESISTOR 3.3kΩ,1/10W	C27		NCB21HK-223X	CAPACITOR 0.022μF,50V
R5314		NRSA02J-103X	MG RESISTOR 10kΩ,1/10W	C28		QEKJ1HM-335	E CAPACITOR 3.3μF,50V
R5316		NRVA02D-103X	CMF RESISTOR 10kΩ,1/10W	C29		NCB21HK-472X	CAPACITOR 0.0047μF,50V
R6020		NRSA02J-102X	MG RESISTOR 1kΩ,1/10W	C30		QEKJ1HM-474	E CAPACITOR 0.47μF,50V
R6021		NRSA02J-102X	MG RESISTOR 1kΩ,1/10W	C31		QEKJ0JM-476	E CAPACITOR 47μF,6.3V
R6030		NRSA02J-332X	MG RESISTOR 3.3kΩ,1/10W	C32		QCB1HK-103	CAPACITOR 0.01μF,50V
R6031		NRSA02J-101X	MG RESISTOR 100Ω,1/10W	C33		QEKJ1HM-225	E CAPACITOR 2.2μF,50V
R6050		QRE141J-330Y	RESISTOR 33Ω,1/4W	C34		NCB21EK-104X	CAPACITOR 0.1μF,25V
R6051		QRE141J-102Y	RESISTOR 1kΩ,1/4W	C35		NCB21EK-333X	CAPACITOR 0.033μF,25V
R6508		QUY153-050Y	IM BUS WIRE	C36		QEKJ1HM-475	E CAPACITOR 4.7μF,50V
R6510		NRSA02J-0R0X	MG RESISTOR 0Ω,1/10W	C37		QEKJ1HM-105	E CAPACITOR 1μF,50V
R7019		NRSA02J-331X	MG RESISTOR 330Ω,1/10W	C38		QEKJ0JM-476	E CAPACITOR 47μF,6.3V
R7020		NRSA02J-103X	MG RESISTOR 10kΩ,1/10W	C39		NCB21HK-103X	CAPACITOR 0.01μF,50V
R7021		NRSA02J-122X	MG RESISTOR 1.2kΩ,1/10W	C40		QEKJ1EM-106	E CAPACITOR 10μF,25V
R7022		NRSA02J-182X	MG RESISTOR 1.8kΩ,1/10W	C51		QEKJ1HM-105	E CAPACITOR 1μF,50V
R7023		NRSA02J-222X	MG RESISTOR 2.2kΩ,1/10W	C62		NCB21EK-104X	CAPACITOR 0.1μF,25V
R7024		NRSA02J-272X	MG RESISTOR 2.7kΩ,1/10W	C120		NCF21CZ-105X	CAPACITOR 1μF,16V
R7025		NRSA02J-472X	MG RESISTOR 4.7kΩ,1/10W	C135		NCB21EK-104X	CAPACITOR 0.1μF,25V
R7030		NRSA02J-103X	MG RESISTOR 10kΩ,1/10W	C136		NCB21EK-104X	CAPACITOR 0.1μF,25V
R7031		NRSA02J-122X	MG RESISTOR 1.2kΩ,1/10W	C137		NCB21HK-103X	CAPACITOR 0.01μF,50V
R7032		NRSA02J-182X	MG RESISTOR 1.8kΩ,1/10W	C201		QEKJ0JM-476	E CAPACITOR 47μF,6.3V
R7033		NRSA02J-222X	MG RESISTOR 2.2kΩ,1/10W	C202		NCB21EK-104X	CAPACITOR 0.1μF,25V

#	△	REF No.	PART No.	PART NAME, DESCRIPTION		#	△	REF No.	PART No.	PART NAME, DESCRIPTION	
C203			QEKJ1HM-105	E CAPACITOR	1μF,50V	C4001			NCB21EK-104X	CAPACITOR	0.1μF,25V
C205			NDC21HJ-101X	CAPACITOR	100pF,50V	C4002			QERF1HM-105	E CAPACITOR	1μF,50V
C207			NCF21CZ-105X	CAPACITOR	1μF,16V	C4004			QERF1AM-336	E CAPACITOR	33μF,10V
C901			QETN0JM-477	E CAPACITOR	470μF,6.3V	C4006			NCB21EK-563X	CAPACITOR	0.056μF,25V
C904			NCB21HK-103X	CAPACITOR	0.01μF,50V	C4007			NCB21HK-103X	CAPACITOR	0.01μF,50V
C2001			QEKJ1HM-475	E CAPACITOR	4.7μF,50V	C4009			NCB21HK-102X	CAPACITOR	0.001μF,50V
C2002			QEKJ1EM-106	E CAPACITOR	10μF,25V	C4010			QERF0JM-476	E CAPACITOR	47μF,6.3V
C2003			QEKJ0JM-476	E CAPACITOR	47μF,6.3V	C4011			NCB21CK-224X	CAPACITOR	0.22μF,16V
C2005			QEKJ1HM-475	E CAPACITOR	4.7μF,50V	C4014			NDC21HJ-101X	CAPACITOR	100pF,50V
C2006			NCB21HK-123X	CAPACITOR	0.012μF,50V	C4015			NDC21HJ-101X	CAPACITOR	100pF,50V
C2007			QEKJ1CM-226	E CAPACITOR	22μF,16V	C4019			NCB21HK-103X	CAPACITOR	0.01μF,50V
C2008			QEKJ1HM-475	E CAPACITOR	4.7μF,50V	C4022			NDC21HJ-101X	CAPACITOR	100pF,50V
C2009			NCB21HK-102X	CAPACITOR	0.001μF,50V	C4031			QEKJ1EM-106	E CAPACITOR	10μF,25V
C2010			NCB21HK-152X	CAPACITOR	0.0015μF,50V	△ C5001			QFZ9073-683	F CAPACITOR	0.068μF,250V
C2011			QEKJ1HM-475	E CAPACITOR	4.7μF,50V	△ C5004			QCZ9071-222	CAPACITOR	0.0022μF,250V
C2012			QEKJ1HM-475	E CAPACITOR	4.7μF,50V	C5006			QEZ0424-686	E CAPACITOR	68μF,400V
C2051			NCB21HK-331X	CAPACITOR	330pF,50V	C5101			QCZ0212-472	CAPACITOR	0.0047μF,1kV
C2053			NCB21HK-332X	CAPACITOR	0.0033μF,50V	C5102			QEMU1EM-396	E CAPACITOR	39μF,25V
C2054			NCB21HK-682X	CAPACITOR	0.0068μF,50V	C5103			QCZ0302-330Z	CAPACITOR	33pF,1kV
C2055			QEKJ1EM-106	E CAPACITOR	10μF,25V	C5104			QFLC1HJ-471Z	F CAPACITOR	470pF,50V
C2061			QFLC1HJ-473Z	F CAPACITOR	0.047μF,50V	C5202			QEMT1CM-687	E CAPACITOR	680μF,16V
C2201			NCB21EK-104X	CAPACITOR	0.1μF,25V	C5203			QEMT1AM-687	E CAPACITOR	680μF,10V
C2202			NCB21EK-333X	CAPACITOR	0.033μF,25V	C5204			QETJ2AM-475	E CAPACITOR	4.7μF,100V
C2203			QEKJ1EM-106	E CAPACITOR	10μF,25V	C5206			QETN1AM-476	E CAPACITOR	47μF,10V
C2204			NCB21HK-102X	CAPACITOR	0.001μF,50V	C5207			QETN1CM-107	E CAPACITOR	100μF,16V
C2205			QEKJ1HM-105	E CAPACITOR	1μF,50V	C5301			QEKJ1CM-107	E CAPACITOR	100μF,16V
C2206			QEKJ1EM-106	E CAPACITOR	10μF,25V	C5302			QEKJ1HM-106	E CAPACITOR	10μF,50V
C2207			QEKJ1CM-476	E CAPACITOR	47μF,16V	C5303			QEKJ1CM-107	E CAPACITOR	100μF,16V
C2208			QEKJ1HM-475	E CAPACITOR	4.7μF,50V	C5304			NCB21HK-102X	CAPACITOR	0.001μF,50V
C2209			QEKJ1HM-104	E CAPACITOR	0.1μF,50V	C5305			QFV91HJ-473	F CAPACITOR	0.047μF,50V
C2210			QEKJ1HM-104	E CAPACITOR	0.1μF,50V	C5306			QFV91HJ-683	F CAPACITOR	0.068μF,50V
C2215			QEKJ1HM-475	E CAPACITOR	4.7μF,50V	C5311			NCB21HK-103X	CAPACITOR	0.01μF,50V
C2217			QEKJ1EM-106	E CAPACITOR	10μF,25V	C6029			NRSA02J-0R0X	MG RESISTOR	0Ω,1/10W
C2219			QEKJ1EM-106	E CAPACITOR	10μF,25V	C6553			QEKJ0JM-227	E CAPACITOR	220μF,6.3V
C2220			QEKJ1HM-475	E CAPACITOR	4.7μF,50V	C7003			QETJ1AM-227	E CAPACITOR	220μF,10V
C2221			NCB21HK-103X	CAPACITOR	0.01μF,50V	C7014			NCB21HK-103X	CAPACITOR	0.01μF,50V
C2222			QEKJ1HM-474	E CAPACITOR	0.47μF,50V	L1			QQL29BJ-100Z	COIL	10μH
C2223			QEKJ1HM-474	E CAPACITOR	0.47μF,50V	L2			QUY153-050Y	IM BUS WIRE	
C2224			NCB21HK-103X	CAPACITOR	0.01μF,50V	L3			QQL29BJ-100Z	COIL	10μH
C2225			QEKJ1HM-475	E CAPACITOR	4.7μF,50V	L4			QQL29BJ-100Z	COIL	10μH
C2226			QEKJ1EM-106	E CAPACITOR	10μF,25V	L5			QQL29BJ-100Z	COIL	10μH
C2227			NCB21EK-104X	CAPACITOR	0.1μF,25V	L11			QQL01BJ-120Z	COIL	12μH
C2251			QEKJ0JM-476	E CAPACITOR	47μF,6.3V	L201			QUY153-050Y	IM BUS WIRE	
C2252			NCB21HK-103X	CAPACITOR	0.01μF,50V	L203			QQL231J-4R7Y	COIL	4.7μH
C2253			NCB21HK-103X	CAPACITOR	0.01μF,50V	L901			QQL29BJ-101Z	COIL	100μH
C2254			NCB21HK-103X	CAPACITOR	0.01μF,50V	L2001			QUY153-050Y	IM BUS WIRE	
C3001			NCB21EK-104X	CAPACITOR	0.1μF,25V	L2251			QQL29BJ-100Z	COIL	10μH
C3003			QEKJ1EM-106	E CAPACITOR	10μF,25V	L4001			QQL29BJ-100Z	COIL	10μH
C3008			NCB21HK-102X	CAPACITOR	0.001μF,50V	L5201			PELN1184	COIL	33μH
C3013			QEKJ1EM-106	E CAPACITOR	10μF,25V	L5202			PELN1184	COIL	33μH
C3016			NDC21HJ-180X	CAPACITOR	18pF,50V	L5301			QQL01BJ-101Z	COIL	100μH
C3017			NDC21HJ-270X	CAPACITOR	27pF,50V	L6001			QQL29BK-1R0Z	COIL	1.0μH
C3018			QAT3725-300Z	TRIM CAPACITOR		L6003			QQL29BK-1R0Z	COIL	1.0μH
C3019			NDC21HJ-6R0X	CAPACITOR	6pF,50V	L6004			QQL071J-1R0Y	COIL	1.0μH
C3020			NDC21HJ-180X	CAPACITOR	18pF,50V	L6032			QUY153-050Y	IM BUS WIRE	
C3022			NCB21EK-104X	CAPACITOR	0.1μF,25V	L6050			QUY153-050Y	IM BUS WIRE	
C3023			NCF21CZ-105X	CAPACITOR	1μF,16V	L6501			QQL29BJ-3R3Z	COIL	3.3μH
C3028			QETN0JM-108	E CAPACITOR	1000μF,6.3V	X2			QAX0575-001	CRYSTAL RESONATOR	
C3035			NCB21EK-104X	CAPACITOR	0.1μF,25V	X3001			QAX0526-001	CRYSTAL RESONATOR	
C3036			QERF0JM-107	E CAPACITOR	100μF,6.3V	X3002			QAX0445-001	CRYSTAL RESONATOR	
C3048			NCB21HK-103X	CAPACITOR	0.01μF,50V	S3001			QSW0602-004	PUSH SWITCH,REC SAFETY	

#	△ REF No.	PART No.	PART NAME, DESCRIPTION
		S7001	QSW0456-002Z TACT SWITCH,POWER
		S7002	QSW0456-002Z TACT SWITCH,CH-
		S7004	QSW0456-002Z TACT SWITCH,REC
		S7006	QSW0456-002Z TACT SWITCH,PAUSE
		S7008	QSW0456-002Z TACT SWITCH,STOP/EJECT
		S7010	QSW0456-002Z TACT SWITCH,DISPLAY
		S7012	QSW0456-002Z TACT SWITCH,PLAY
		S7014	QSW0456-002Z TACT SWITCH,REW
		S7015	QSW0456-002Z TACT SWITCH,FF
		S7016	QSW0456-002Z TACT SWITCH,CH+
		K2251	NRSA02J-0R0X MG RESISTOR 0Ω,1/10W
		K2252	NRSA02J-0R0X MG RESISTOR 0Ω,1/10W
		K2253	NRSA02J-0R0X MG RESISTOR 0Ω,1/10W
		K5101	QQR0678-001Z FERRITE BEAD
		K5102	QUY153-050Y IM BUS WIRE
		PC3001	GP3S123 IC(PHOTO SENSOR)
		PC3002	GP3S123 IC(PHOTO SENSOR)
△		PC5101	PS2561L1-1/WL/ IC(PHOTO COUPLER)
		T2051	QQR1197-001 BIAS COIL
△		T5001	QQS0051-001 SW TRANSFORMER
		ET1	LP30859-001A EARTH PLATE
		HS1	LP40090-001A HEAT SINK,IC5101
		SD1	LP30864-001A SHIELD CASE(PRE)
		DI7002	LTG-Y2K12M-01J LE DIODE
		TU6001	QAU0238-001 TUNER
		OT1	QYTDST3006Z SCREW,IC5101
		J1	QNN0380-002 PIN JACK,REAR1 IN
		J2	QNN0286-002 PIN JACK,REAR OUT
		J7101	QNN0381-002 PIN JACK,FRONT IN
		FC5001	QNG0006-001Z FUSE CLIP,F5001
		FC5002	QNG0006-001Z FUSE CLIP,F5001
		FW3001	QUM022-13A4A4 P.R.WIRE,R.PAUSE
△		TB1	PQ21910-14 TERMINAL BOARD
△		LF5002	QQR0532-001 LINE FILTER
		CN1	QGF1028C1-11 FPC CONNECTOR,(1-11)U.DRUM
		CN2001	QGF1207C1-07 FPC CONNECTOR,(1-7)A/C HEAD
		CN2002	QGB2532J1-02 CONNECTOR,(1-2)FE HEAD
		CN3001	QGB2015M2-08 CONNECTOR,(1-8)CAPSTAN MOTOR
		CN3002	QGF1207C1-05 FPC CONNECTOR,(1-5)DRUM MDA
		CN3003	QGB2532J1-02 CONNECTOR,(1-2)LOADING MOTOR
		CN3004	QGB2534J2-04 CONNECTOR,(1-4)ROTARY ENCODER
△		CN5001	QGA7901C3-02 CONNECTOR,(1-2)AC IN
△		CP4001	ICP-N25 CIRCUIT PROTECTOR
△		CP5302	ICP-N25 CIRCUIT PROTECTOR
△		F5001	QMF51E2-2R0J1 FUSE T2.0A,AC250V

#	△ REF No.	PART No.	PART NAME, DESCRIPTION

DEMOD BOARD ASSEMBLY <14>			
		PW1	LPA10094-06B DEMOD BOARD ASSY
		IC6701	MSP3417D IC
			or MSP3417DG3 IC
		Q6701	2SC3936/BC/-X TRANSISTOR
		D6701	1SS133 DIODE
			or 1N4148M DIODE
		R6701	NRSA02J-392X MG RESISTOR 3.9kΩ,1/10W
		R6702	NRSA02J-682X MG RESISTOR 6.8kΩ,1/10W
		R6703	NRSA02J-470X MG RESISTOR 47Ω,1/10W
		R6704	NRSA02J-102X MG RESISTOR 1kΩ,1/10W
		R6705	NRSA02J-271X MG RESISTOR 270Ω,1/10W
		R6706	NRSA02J-101X MG RESISTOR 100Ω,1/10W
		R6707	NQR0200-003X FERRITE BEAD
		R6708	NQR0200-003X FERRITE BEAD
		R6709	NQR0200-003X FERRITE BEAD
		R6710	NQR0200-003X FERRITE BEAD
		R6711	NRSA02J-684X MG RESISTOR 680kΩ,1/10W
		R6712	NRSA02J-102X MG RESISTOR 1kΩ,1/10W
		R6714	NRSA02J-102X MG RESISTOR 1kΩ,1/10W
		R6716	NQR0200-003X FERRITE BEAD
		R6719	QRE141J-103Y RESISTOR 10kΩ,1/4W
		R6720	NRSA02J-562X MG RESISTOR 5.6kΩ,1/10W
		R6721	NRSA02J-562X MG RESISTOR 5.6kΩ,1/10W
		C6701	NCB21HK-103X CAPACITOR 0.01μF,50V
		C6704	NCB21HK-103X CAPACITOR 0.01μF,50V
		C6705	NCB21HK-102X CAPACITOR 0.001μF,50V
		C6707	NDC21HJ-470X CAPACITOR 47pF,50V
		C6708	NDC21HJ-7R0X CAPACITOR 7pF,50V
		C6709	NDC21HJ-3R0X CAPACITOR 3pF,50V
		C6713	NCF21CZ-224X CAPACITOR 0.22μF,16V
		C6714	NCB21HK-222X CAPACITOR 0.0022μF,50V
		C6715	QEKJ1HK-225 E CAPACITOR 2.2μF,50V
		C6716	NCB21HK-222X CAPACITOR 0.0022μF,50V
		C6717	QEKJ1HM-225 E CAPACITOR 2.2μF,50V
		C6719	QEKJ1EM-106 E CAPACITOR 10μF,25V
		C6720	QEKJ1EM-106 E CAPACITOR 10μF,25V
		C6721	NCB21HK-103X CAPACITOR 0.01μF,50V
		C6723	NCB21HK-102X CAPACITOR 0.001μF,50V
		L6701	QUY153-050Y IM BUS WIRE
		L6702	QQL231J-3R3Y COIL 3.3μH
		X6701	QAX0443-001 CRYSTAL RESONATOR
		K6701	NRSA02J-330X MG RESISTOR 33Ω,1/10W
		K6702	NQR0200-003X FERRITE BEAD
		K6703	NRSA02J-102X MG RESISTOR 1kΩ,1/10W
		K6704	NRSA02J-102X MG RESISTOR 1kΩ,1/10W
		K6705	NRSA02J-100X MG RESISTOR 10Ω,1/10W
		K6706	NRSA02J-470X MG RESISTOR 47Ω,1/10W
		BK1	LP40425-001A BRACKET(BOARD)
		CN6701	QGG2502K1-10 HEADER PIN